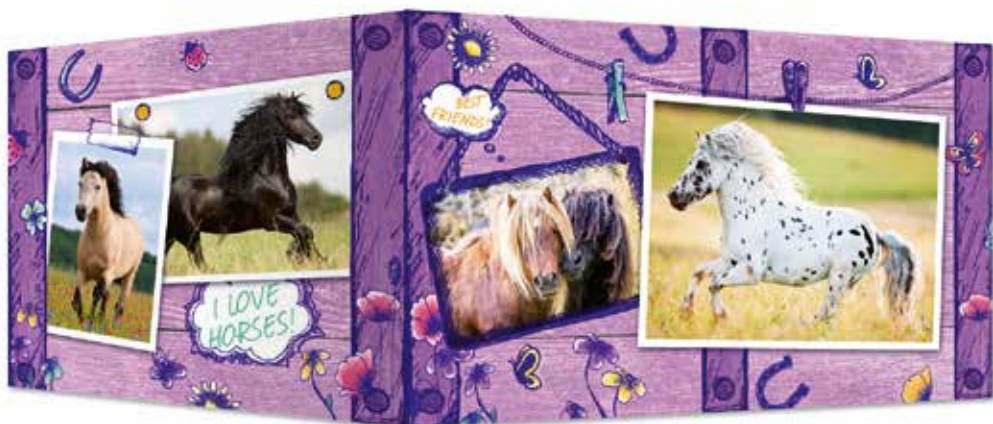
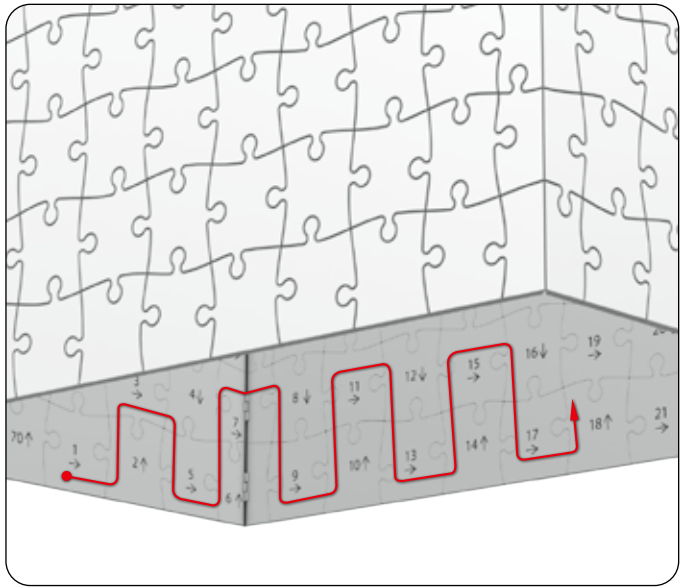
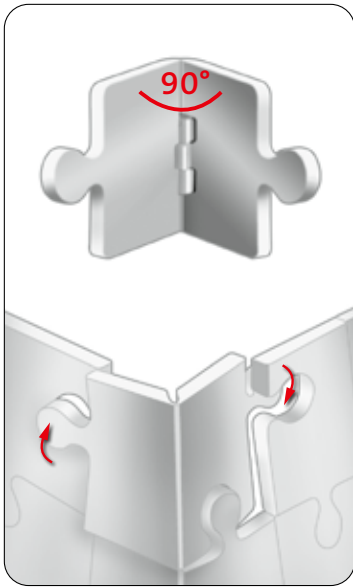


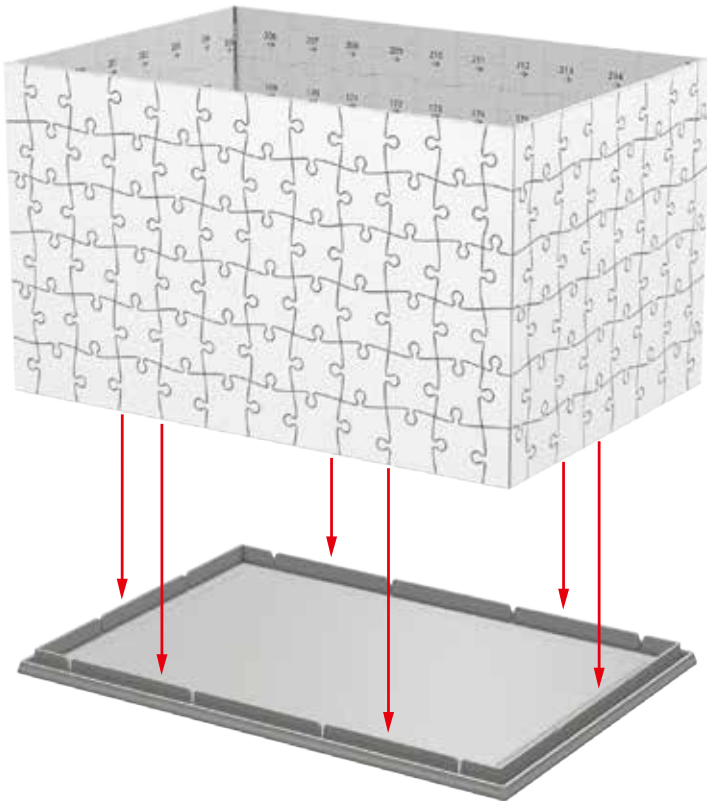
# 3D Puzzle

Treasure Box Horses



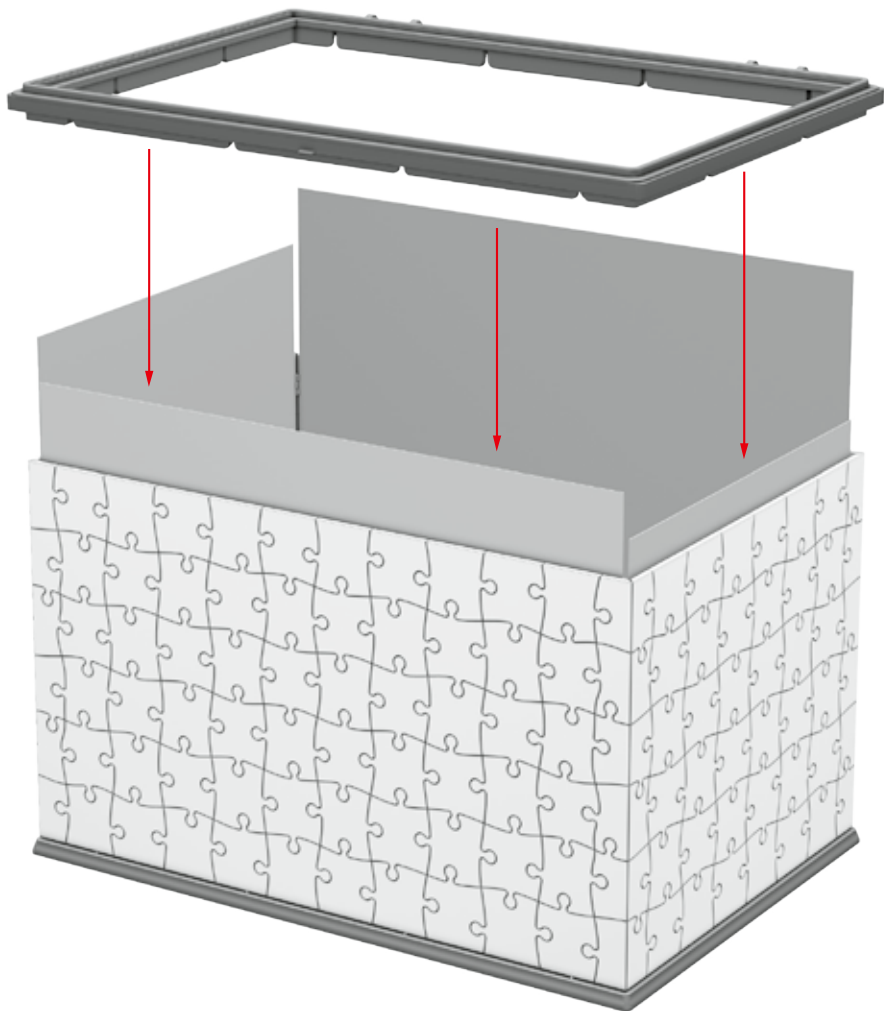


1



 1-216

2



3

